

Delmatic's Router forms part of the building-wide lighting management system architecture, ensures open and seamless communication across the horizontal and vertical networks and optimises the transmission of data.

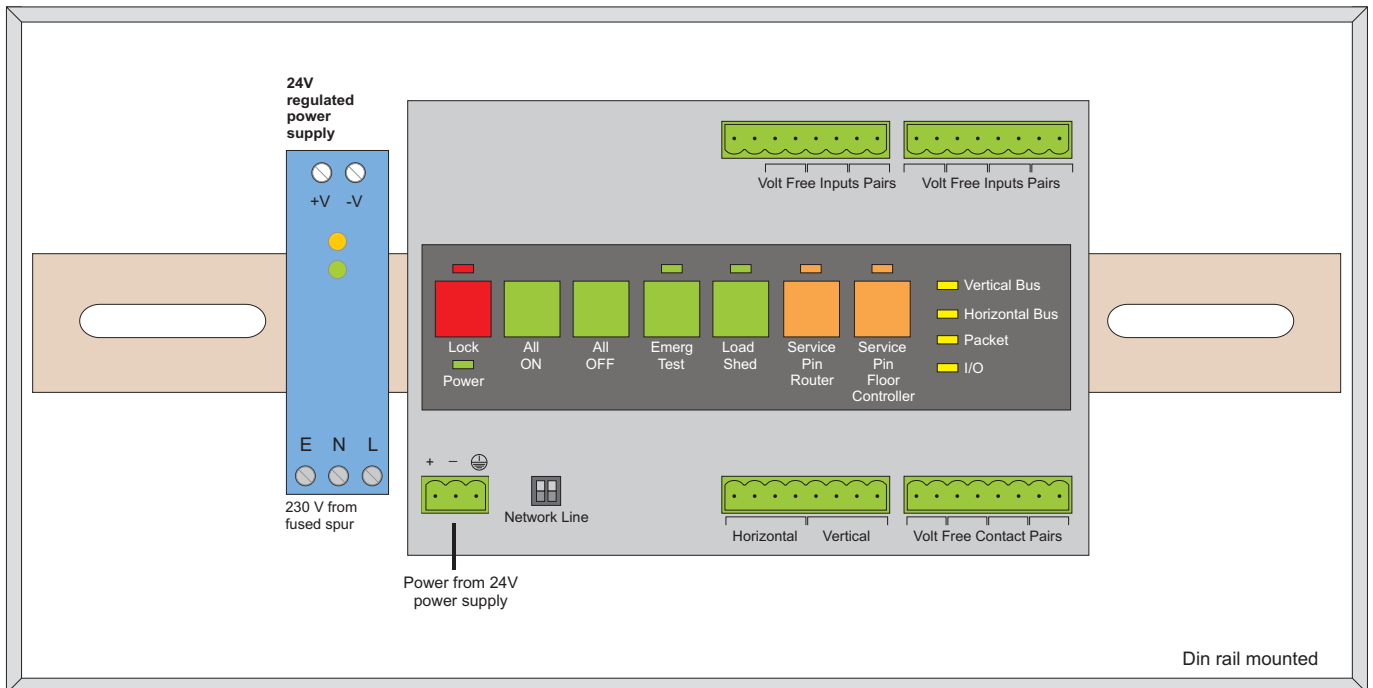
Code protected controls provide access to master on and off functions and emergency test routines. The Router accepts remote firmware upgrades and provides direct digital inputs for master on and off control, loadshedding and emergency-test functions.

The router allows the connection of a laptop for configuring and monitoring of the network, and includes integral selectable network termination resistors.

A Smart IP router (with optional BACnet integration) is also available for transmission of lighting management data across the IP network.



## module features



### controls

- Service buttons, Lock button
- Master on / off control
- Emergency test start / stop control
- Loadshed start-stop
- Network line resistance selector

### indicators

- Power On
- LonWorks Transmit and Receive activity
- Emergency test active
- Service LED (node) and Service LED (router)

### digital inputs

7 inputs suitable for use with contact closure switches

### relay outputs

4 SPST relays rated max 50VDC@10mA - 1A

### network capacity

supports up to 60 lighting control modules

### connectivity

connects to vertical network bus linking all routers via free-topology twisted pair cable.

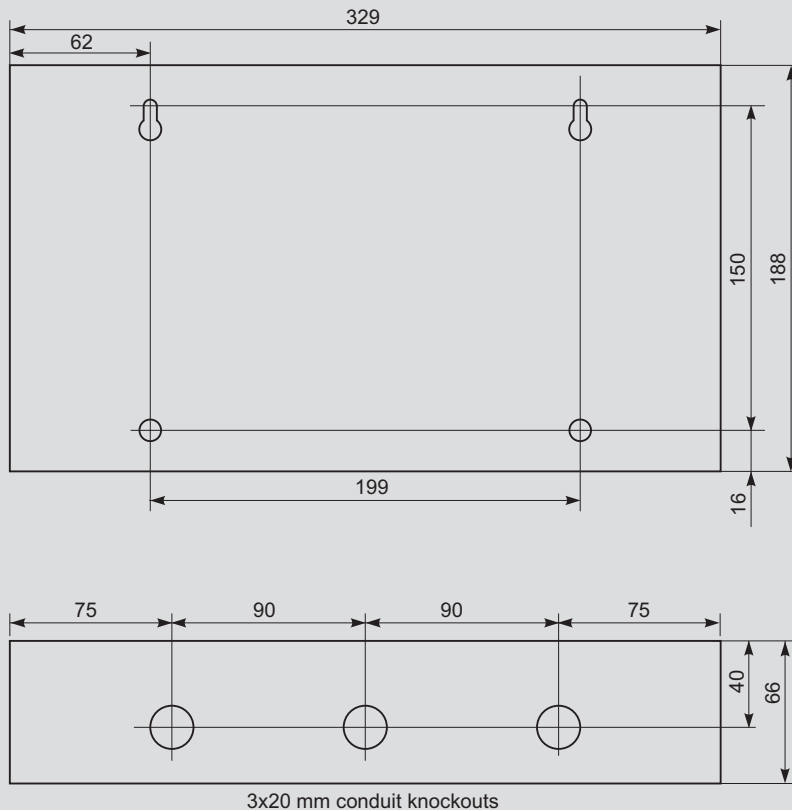
connects to horizontal field bus linking up to 60 lighting control modules served by the router via a free-topology twisted pair cable.

### buswire specification

for latest specifications refer to Buswire Specification data sheet

### network cable length

500m (maximum total free topology without repeater)



## Mounting, installation and dimensions

The Metro Lon Router should be installed in an accessible location, ideally at a height of 1.5 m from floor level. The box is mounted using four M5 screw fixings. The top two holes use keyhole fixings for ease installation.

### All dimensions in millimetres.

Top and bottom sides contain three 20 mm knockouts for conduit entry.

## technical details

### network connections

plug-in terminal connections  
- max cable size 1 sq.mm

### operating input voltage

24V DC typically supplied by  
100 - 240VAC (-6%/+10%), 50/60Hz

### power consumption

<15 watts

### operating temperature

0 to +50°C

### operating humidity

10 to 90% RH @ 50°C (non-condensing)

### dimensions

329 (w) x 188 (h) x 66 (d)

### housing/enclosure

Mounting: Painted galvanised steel enclosure  
finished RAL 7035

### Lon interface

protocol: ANSI/EIA 709.1-A-1999 (LonTalk protocol)  
transceiver: FTT-10A Transceiver  
network: polarity insensitive  
bus voltage: max 42.4 V DC